

## YF series connector

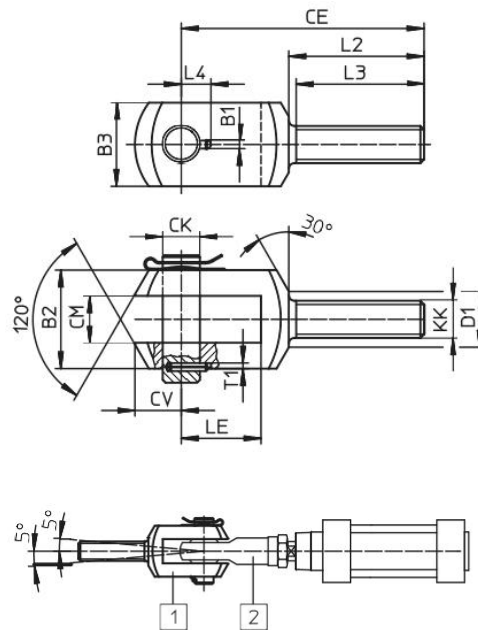


Pin with a positioning pin to prevent rotation

With external thread

Material:

Galvanised steel



Dimensions and Type

KK	B1	B2 d12	B3	CE	CK φF7/h9	CM B12	CV	D φ	L2	L3	L4	LE	T1	Type
<b>M10x1.25</b>	3.3	28	20	78	10	14	12	18	53	50	11	20	3	<b>YF-M10x1.25</b>
<b>M12</b>	4.3	30	25	92	12	16	16	19	58	55	12	26	3	<b>YF-M12</b>
<b>M12x1.25</b>														<b>YF-M12x1.25</b>
<b>M16</b>	4.3	40	35	108	16	21	21	24	65	62	14	31	3	<b>YF-M16</b>
<b>M16x1.5</b>														<b>YF-M16x1.5</b>
<b>M20x1.5</b>	4.3	50	40	131	20	25	25	30	73	69	16	43	3	<b>YF-M20x1.5</b>
<b>M27x2</b>	6.3	67	60	168	30	37	32	38	98	92	24	54	5	<b>YF-M27x2</b>
<b>M36x2</b>	6.3	78	70	211	35	43	39	48	121	115	26.5	72	5	<b>YF-M36x2</b>